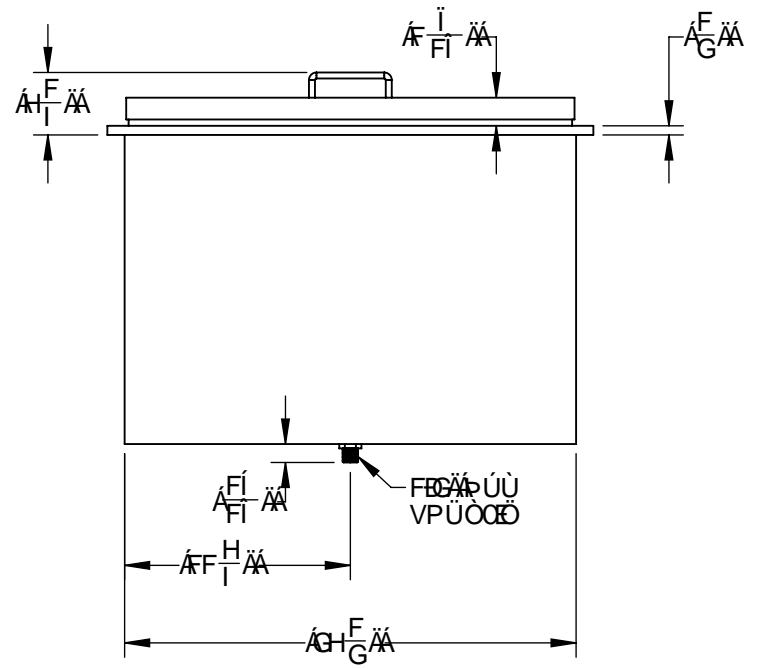
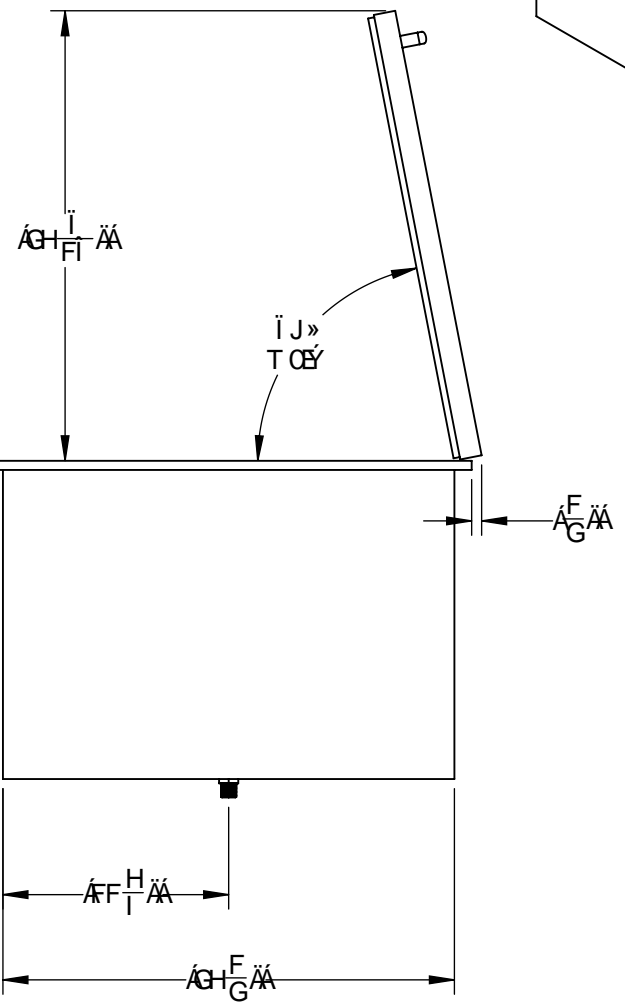
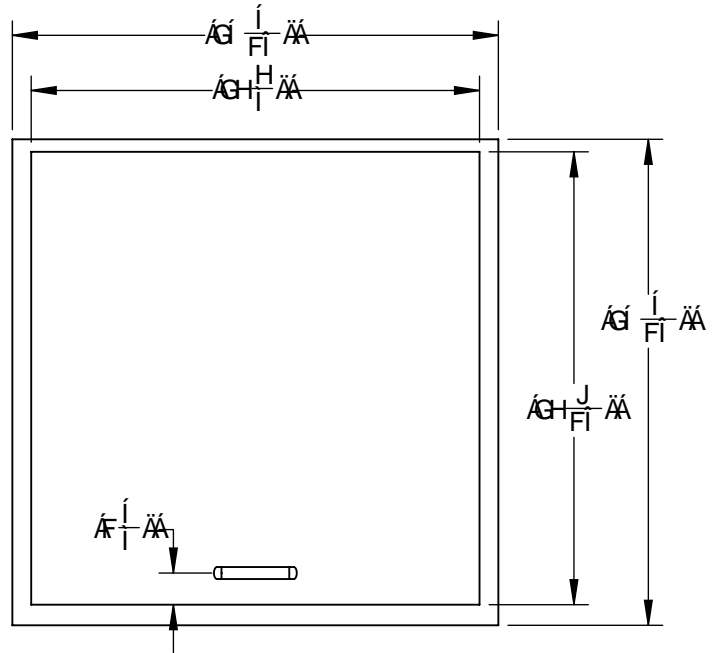
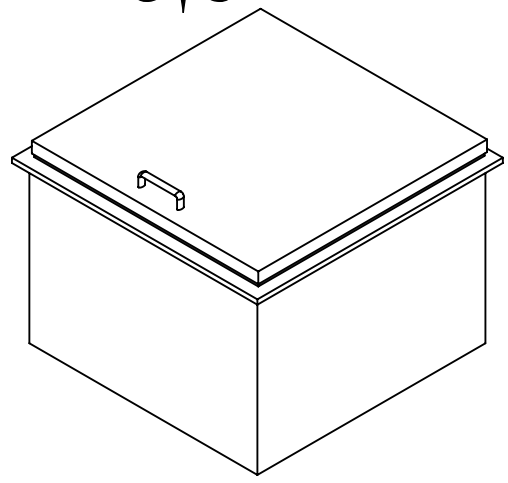


ÒÖÔĠ KÖÜÜÛËÄ ÖÛÛŠÖÛËĠ Ä

 HESTAN

71 HCl H'8 = A9BG = CBG.
& $\frac{0/8/9}{0/8}$ L ... & $\frac{0/8/9}{0/8}$



Ü^çã^âkÄJDFGDFI